

TREQ®-L

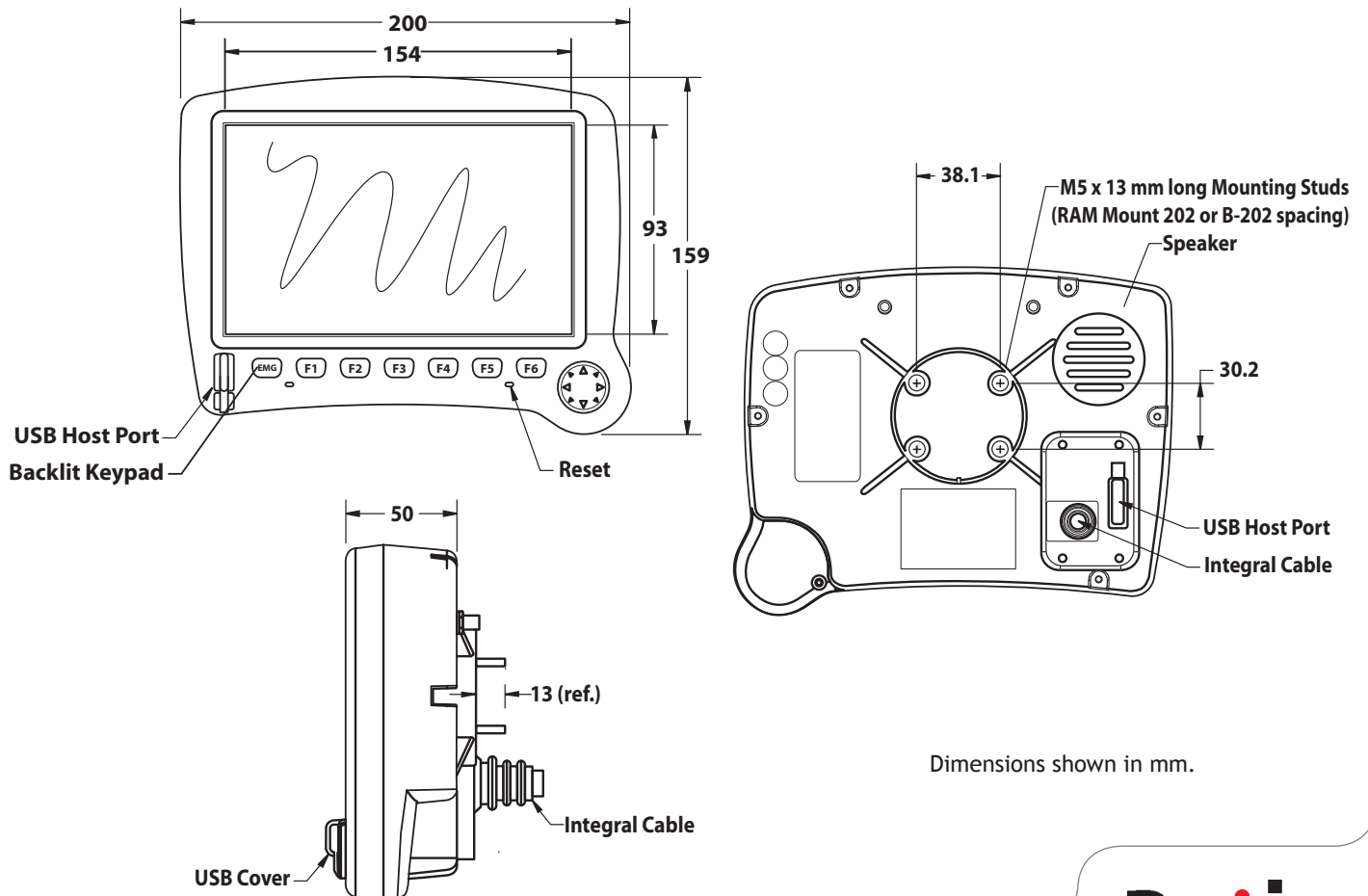
7" Rugged and Economical Mobile Data Terminal

TREQ® Mobile Data Terminals Geared toward the budget-minded customer, the TREQ-L is perfect for integrating with other communication devices. Designed and built with years of rugged engineering experience, the TREQ-L is guaranteed to perform in the field.



Product Highlights

- ▶ 800 x 480 pixel WVGA, 7" (178 mm) diagonal, LED lighted, TFT color LCD touch screen display
- ▶ Seven lighted, programmable function keys; one lighted cursor key
- ▶ One serial port (configurable to EIA-232 or -422)
- ▶ Two USB 1.1 full-speed host ports
- ▶ Windows® CE 5.0 Core or Professional (optional)



TREQ-L Specifications

Feature	Detail	Description
Display	Type	800 x 480 WVGA, TFT color LCD
	Size	7" (178 mm) diagonal
	Lighting	LED
	Brightness	Software controllable
Touch Screen	Type	Analog-resistive
Keypad	Number of Keys	Seven lighted, programmable function keys; one lighted cursor key
	Construction	Laser etched elastomeric with tactile feedback
	Options	Single color LED; custom legends available
Interface	Serial	One EIA-232/422 configurable
	USB	Two 1.1 full-speed host ports (Type A connectors)
Processor	Type	Marvell® XScale™ PXA270, 416 MHz (ARM)
Memory	RAM	128 MB
	Flash	2 GB
Audio	Speaker	Built-in; rear-facing
	Other	External speaker jack: 3.5 mm Tip Ring Sleep (TRS) jack, mono output
Power	Input	8 to 32 VDC (exceeds J1455)
	Consumption	7 Watts (580 mA @ 12 VDC)
Mechanical	Type	Pedestal-mount with RAM Mount or comparable
	Size	200 (W) x 159 (H) x 50 (D) mm
	Mass	1.2 kg
	Housing Material	Blended polycarbonate and polyester resin
	Cable	Integral cable with strain relief

Environmental	Temperature	Operating: -20 to 60 °C; Storage: -40 to 85 °C
	Humidity	0 to 95%, non-condensing
	Vibration	4 g 10-1000 Hz
	Shock	20 g, 11 ms, any axis
Certifications	CE	EN60950-1, EN55022, EN55024
	EMC	FCC Part 15, Class A
	RoHS	Compliant

Software	Operating System	Windows® CE 5.0 Core or Professional (optional)
	Development Environments	Windows® Embedded Visual C++ 4.0, Microsoft® Visual Studios 2005 and 2008



US Office

Beijer Electronics, Inc.
2212 South West Temple #50
Salt Lake City, Utah 84115-2648 USA

www.BeijerElectronicsInc.com / 801-466-8770

Headquarters

Beijer Electronics Products AB
P.O. Box 426
201 24 Malmö, Sweden

www.BeijerElectronics.com / +46 40 35 86 00

M01-026-00 REV 03

1 APRIL 2011

Copyright © 2011 Beijer Electronics. All rights reserved.

The information at hand is provided as available at the time of printing. Beijer Electronics reserves the right to change any information without updating this publication. Beijer Electronics does not assume any responsibility for any errors or omissions in this publication.